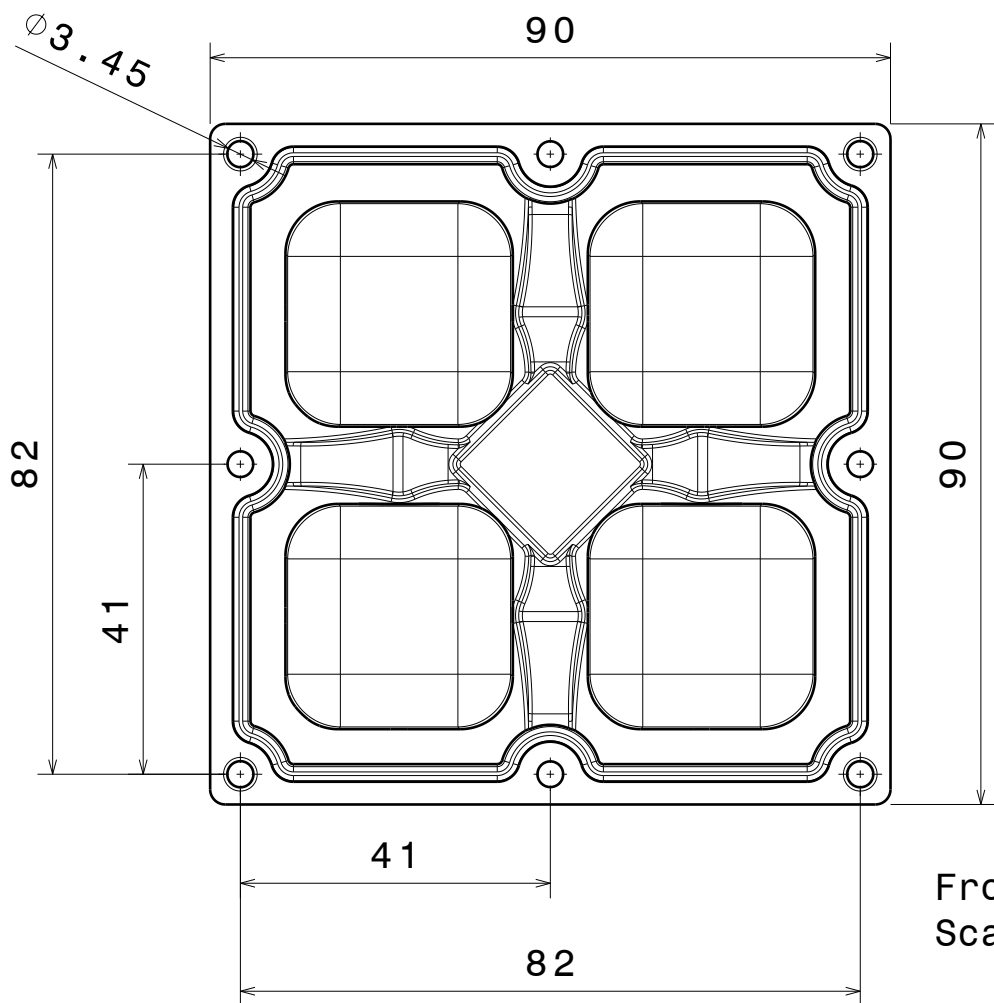
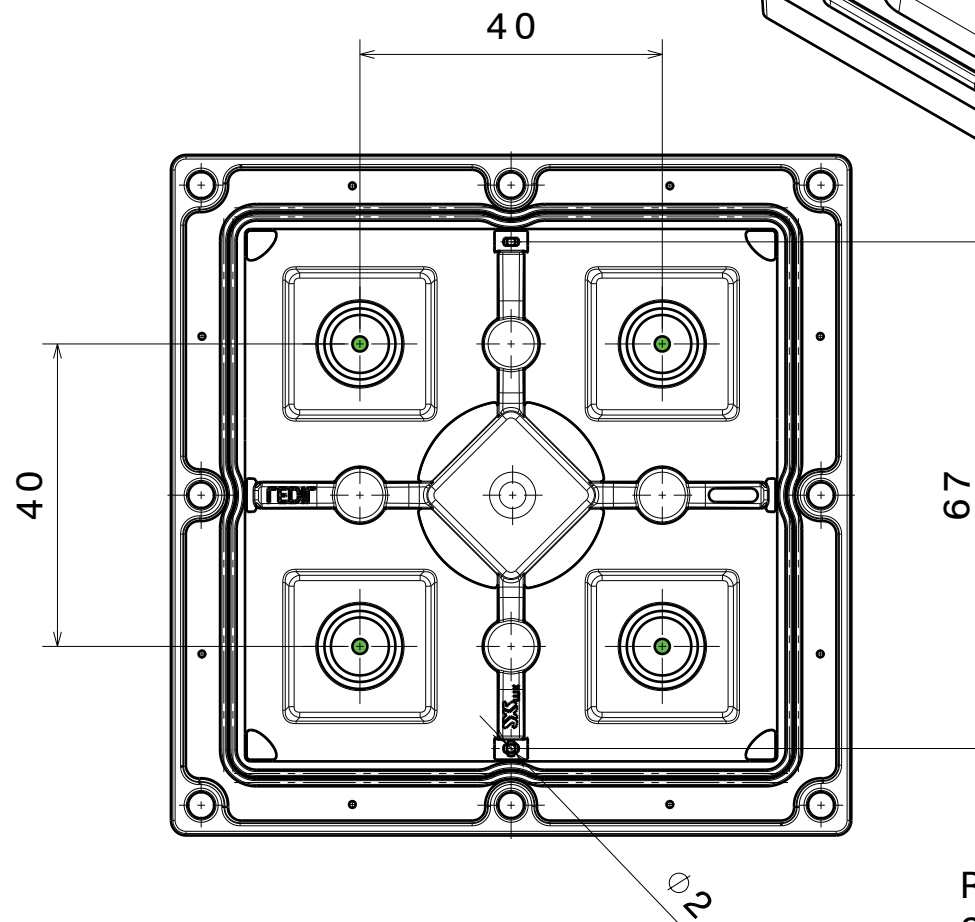


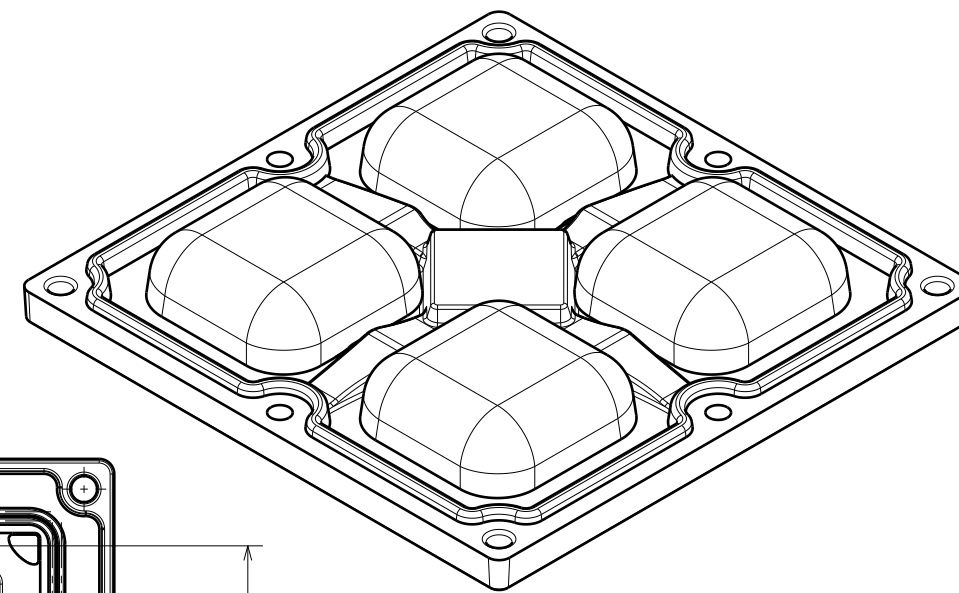
Bottom view  
Scale: 1:1



Front view  
Scale: 1:1



Rear view  
Scale: 1:1



Isometric view  
Scale: 1:1

INDEX	PART NO	DESCRIPTION	MATERIAL	COLOUR
1	C15762	STRADA-2X2MX-8-VSM	PMMA	
	C15757	STRADA-2X2MX-8-SEAL	Silicone	

Plastic moulding general tolerances according to DIN 16901-130 and applies if not otherwise shown in the drawing.  
Silicone moulding general tolerances according to ISO 3302-1 Class M3 and applies if not otherwise shown in the drawing.

**LEDiL** LediL Oy  
Salorankatu 10  
FIN 24240 SALO  
Finland

THIRD ANGLE PROJECTION:

DRAWING TITLE  
**CS15763\_STRADA-2X2MX-8-VSM**

This drawing is the property of LEDiL Oy. It may not be reproduced, copied or communicated without a written agreement with LEDiL Oy.

SIZE	PART NUMBER
A3	CS15763

SCALE	1:1	WEIGHT	48,7 g	SHEET	1/1
-------	-----	--------	--------	-------	-----